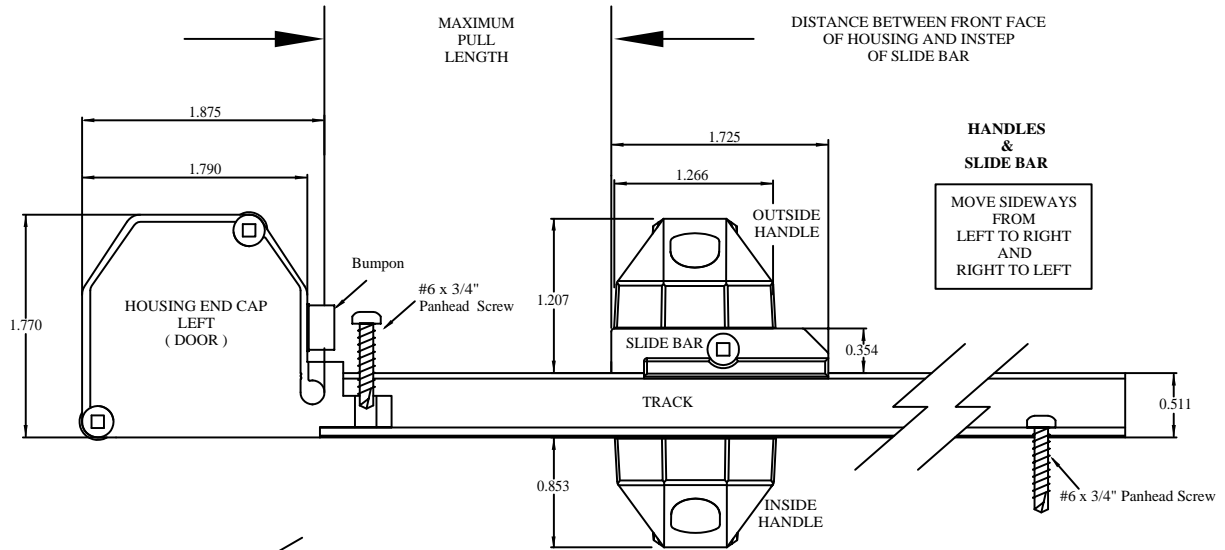


Phantom Door Design Specifications

(Detail Views)

For Illustration Purposes Only - Not Drawn to Scale



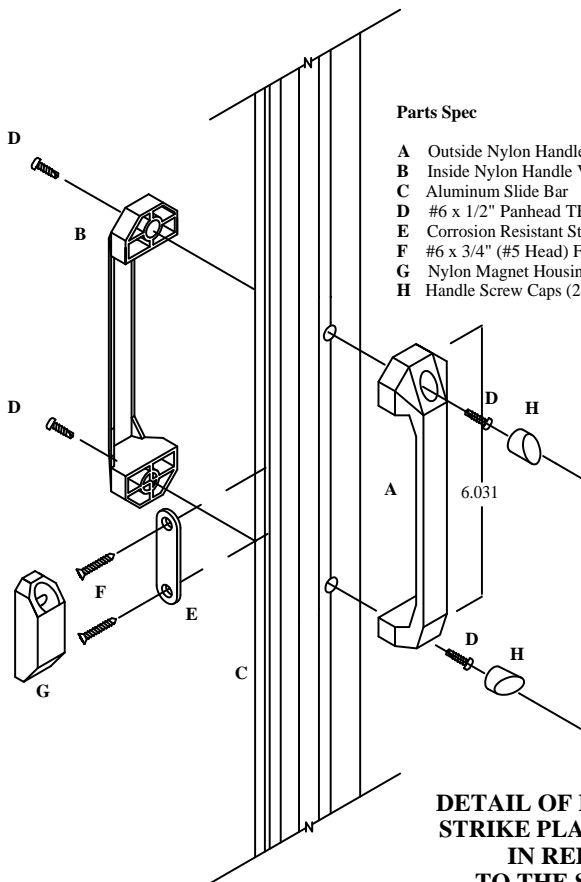
PLAN VIEW

Parts Spec

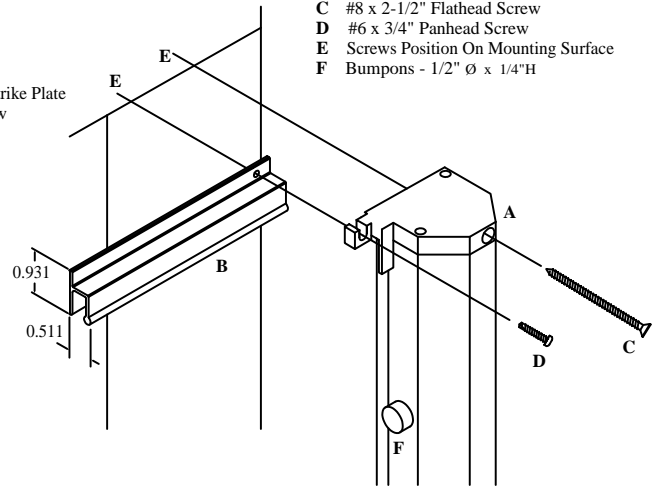
Parts Spec

- A Outside Nylon Handle V2
- B Inside Nylon Handle V2
- C Aluminum Slide Bar
- D #6 x 1/2" Panhead TEK Screw
- E Corrosion Resistant Steel Magnet Strike Plate
- F #6 x 3/4" (#5 Head) Flathead Screw
- G Nylon Magnet Housing
- H Handle Screw Caps (2 Per Handle)

- A Aluminum Housing c/w Nylon End Cap
- B Aluminum Track
- C #8 x 2-1/2" Flathead Screw
- D #6 x 3/4" Panhead Screw
- E Screws Position On Mounting Surface
- F Bumpons - 1/2" Ø x 1/4"H



DETAIL OF HANDLE AND STRIKE PLATE POSITION IN RELATION TO THE SLIDE BAR



DETAIL OF TRACK POSITION IN RELATION TO THE HOUSING AND HOUSING END CAP (HEAD VIEW)

All dimensions are in inches

© 2004 Phantom Mfg (Int'l) Ltd. Proprietary Material
 Drawing #: PDRDESIGNSPECV202
 Oct 04/04 (By N.D.R.)

OPTION NOTES FOR HANDLE FASTENING :

1. The Handle may be attached to the Slide Bar in two methods. The first as shown, or in the case of a retrofit the Handle may be attached using a #6 x 1-1/2" Hex Panhead Machine Screw (Stainless Steel) and Nut.
2. Refer to Drawings PDRHANDLEV2INSTALL01 and 02 for further details.