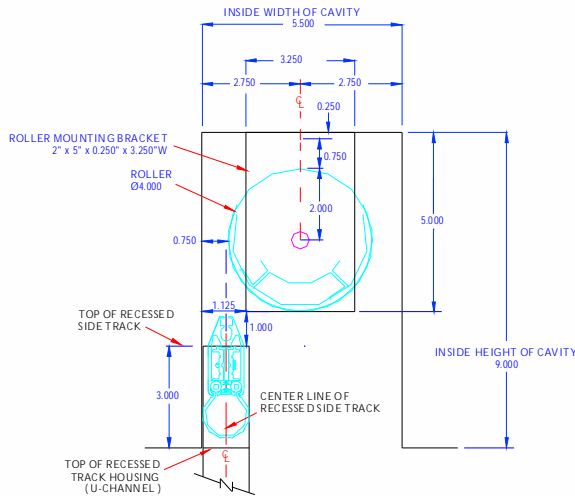
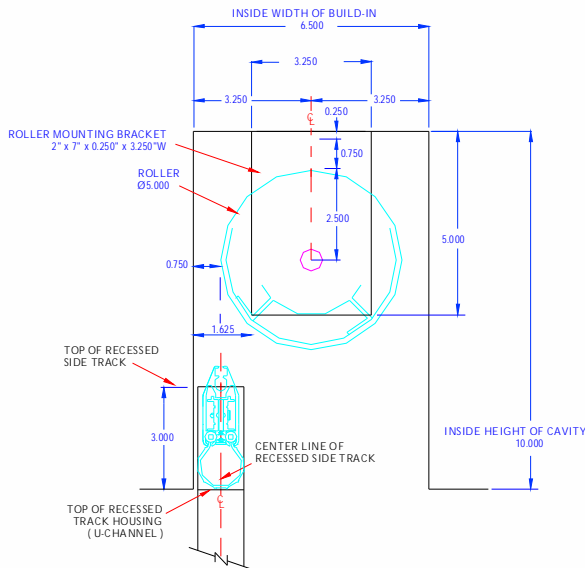


Recessed Cavity Considerations Hz02+

❶ Cavity dimensions given will be the MINIMUM sizes for the cavity. Under NO circumstances will those dimensions be made smaller.



PLACEMENT OF 4" ROLLER, 5" ROLLER MOUNTING BRACKET AND RECESSED SIDE TRACK



PLACEMENT OF 5" ROLLER, 5" ROLLER MOUNTING BRACKET AND RECESSED SIDE TRACK

1. The cavity walls must be parallel to each other. Again, no dimension can be made smaller than specified. It is recommended that additional space be provided to make installation easier if possible.

2. The cavity wall must be free from anything protruding through them i.e. nails, staples, etc.

3. The bottom panel or the front of the cavity must be removable, and the screen must always remain accessible. The actual size and position of the panel can be determined once the Executive Screen has been installed. The gap in the bottom panel, that allows the Executive slide bar and bottom seal access into the cavity, will be determined by the size of the bottom seal (1.75", 4", or 6"), in a non-compressed state. The installer of the Executive Screen will give this dimension to you.

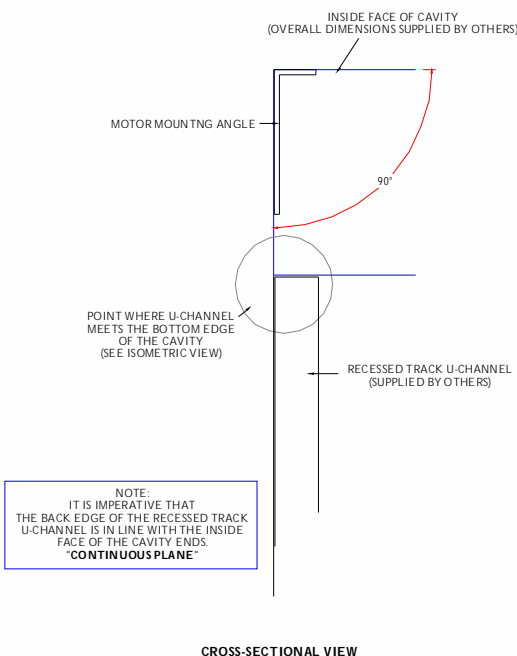
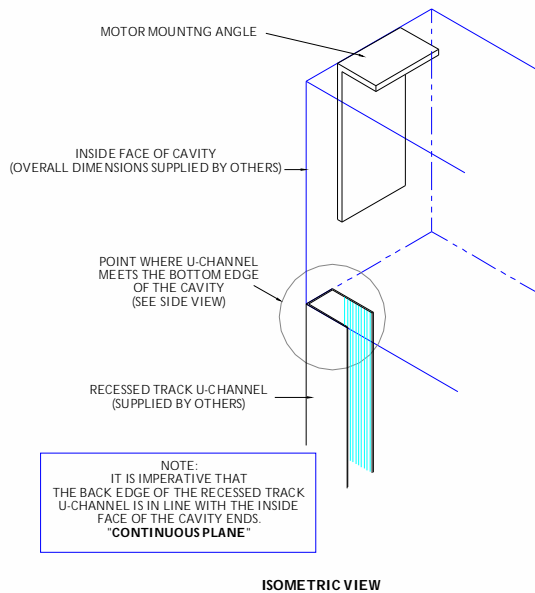
4. The Executive installer will advise the contractor where the recessed mounting brackets are to be placed. These brackets must be attached through the cavity's structural materials and into a structurally supported framing member. It is the two recessed mounting brackets that support the entire weight of the Executive Power Screen.

5. The recessed mounting brackets must be installed perfectly level from left to right. This is a necessity for proper Executive roller installation and operation.

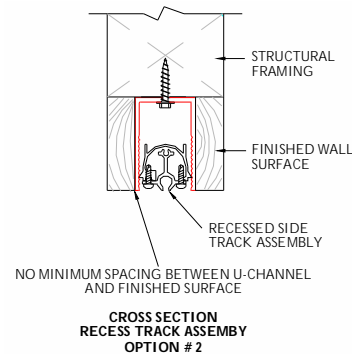
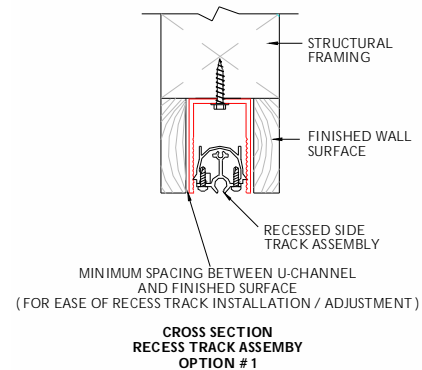
6. The recessed U-channel is normally installed during framing. Be sure that the U-channel is offset toward the back of the cavity. It should still be in line with the edge of the recessed mounting bracket. This will depend on which side of the cavity your mesh will be feeding out of. (See diagrams on page 2).

Recessed Cavity Considerations Hz02+

DO NOT frame the cavity so that the U-channel is centered. The U-channel is mounted through its back wall with an appropriate fastener into the structure behind it. Refer to the diagram below for details.



7. We recommend once the U-channel is installed that the finishing work (i.e. moldings, stucco, siding, etc.) do not protrude past the mouth of the U-channel. Consideration should be given to the ease of installing the roller after all of the finishing work has been completed. In the event that finishing work protruding past the mouth of the U-channel is unavoidable, the space that the U-channel is being recessed into must remain at minimum the same width as the U-channel, and have a smooth finish on the inside. The U-channel must remain clean and free of any debris. There should be a 1/8" gap between the U-channel and the wall on either side to account for flex during installation while snapping the recessed tracks into place.



8. Phantom recommends using duct tape to cover the mouth of the opening of the U-channel until such time as construction and installation are complete.